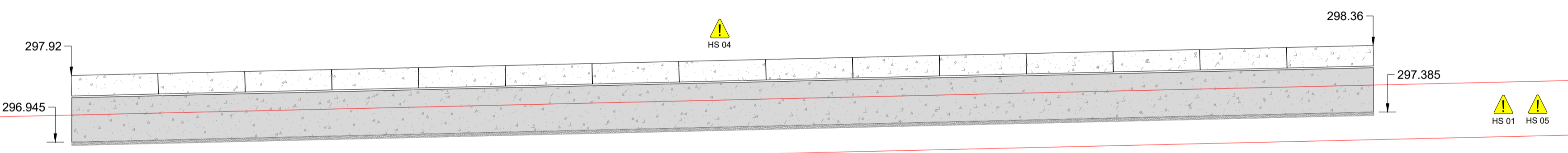
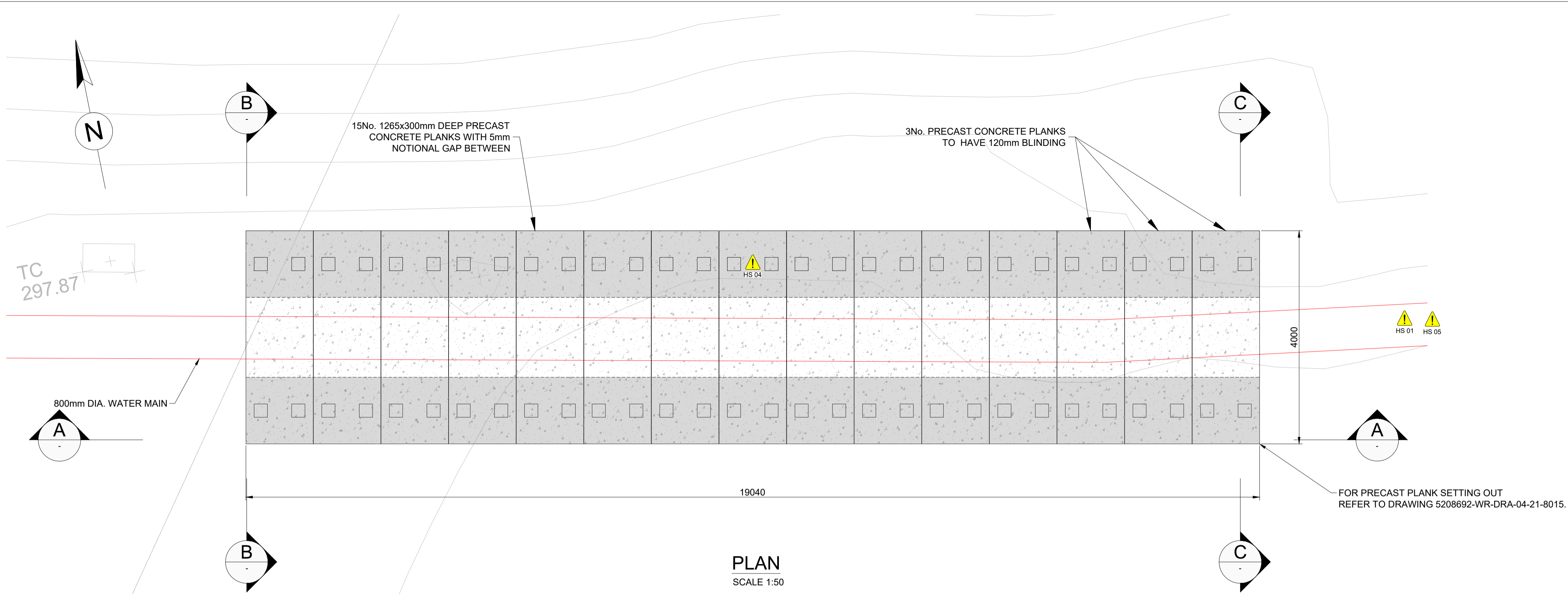
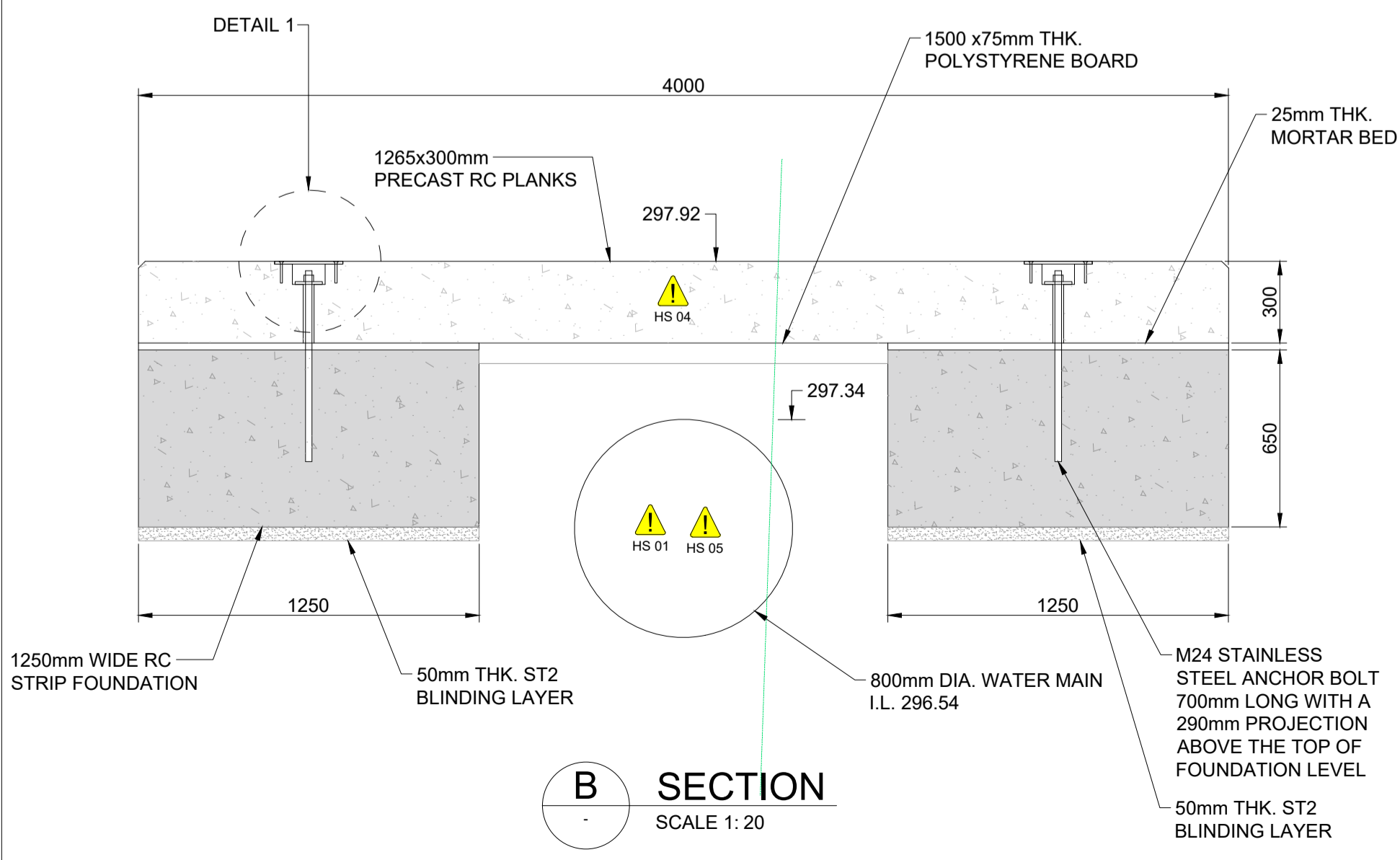


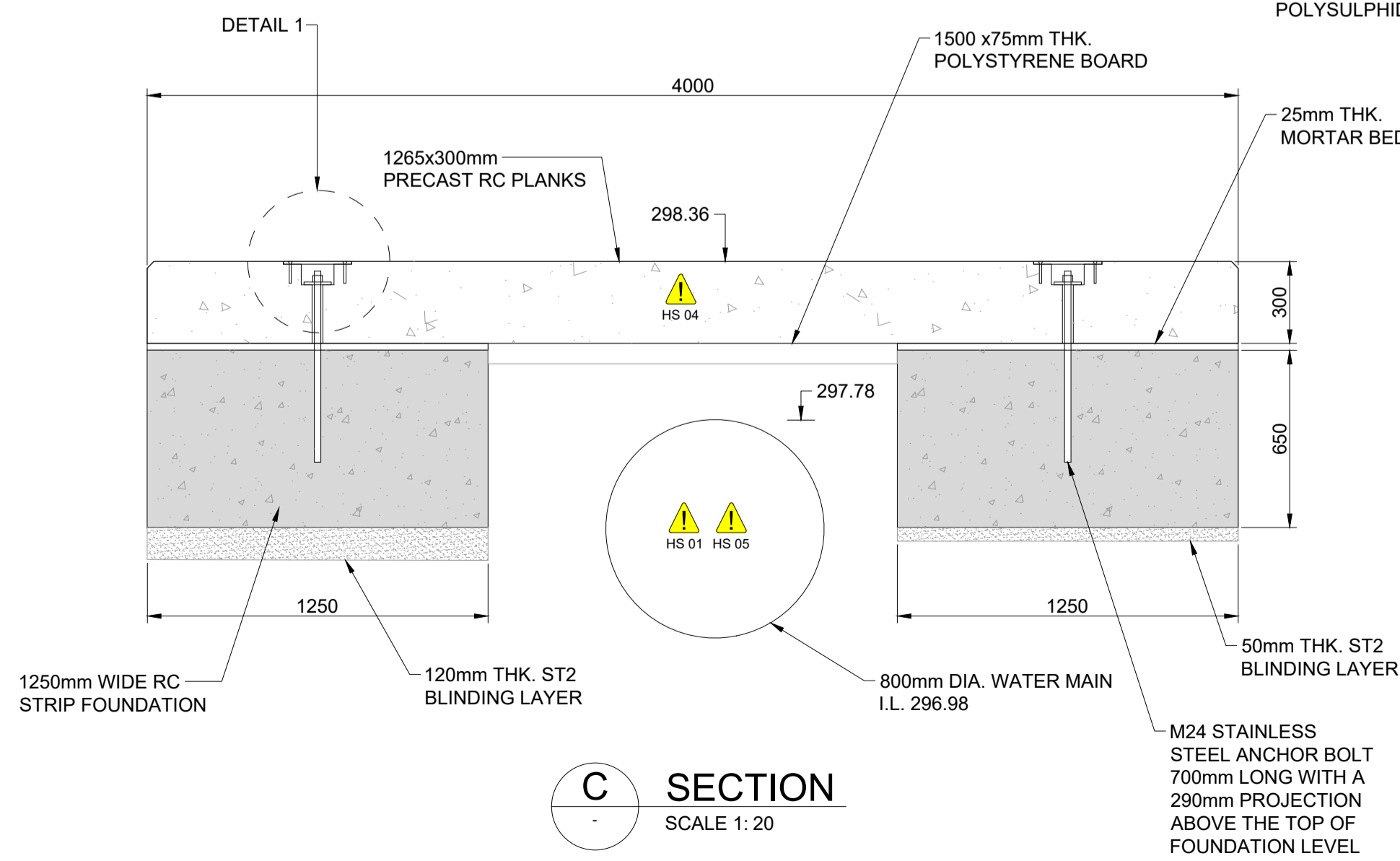
100
0 10
Millimetres
DO NOT SCALE



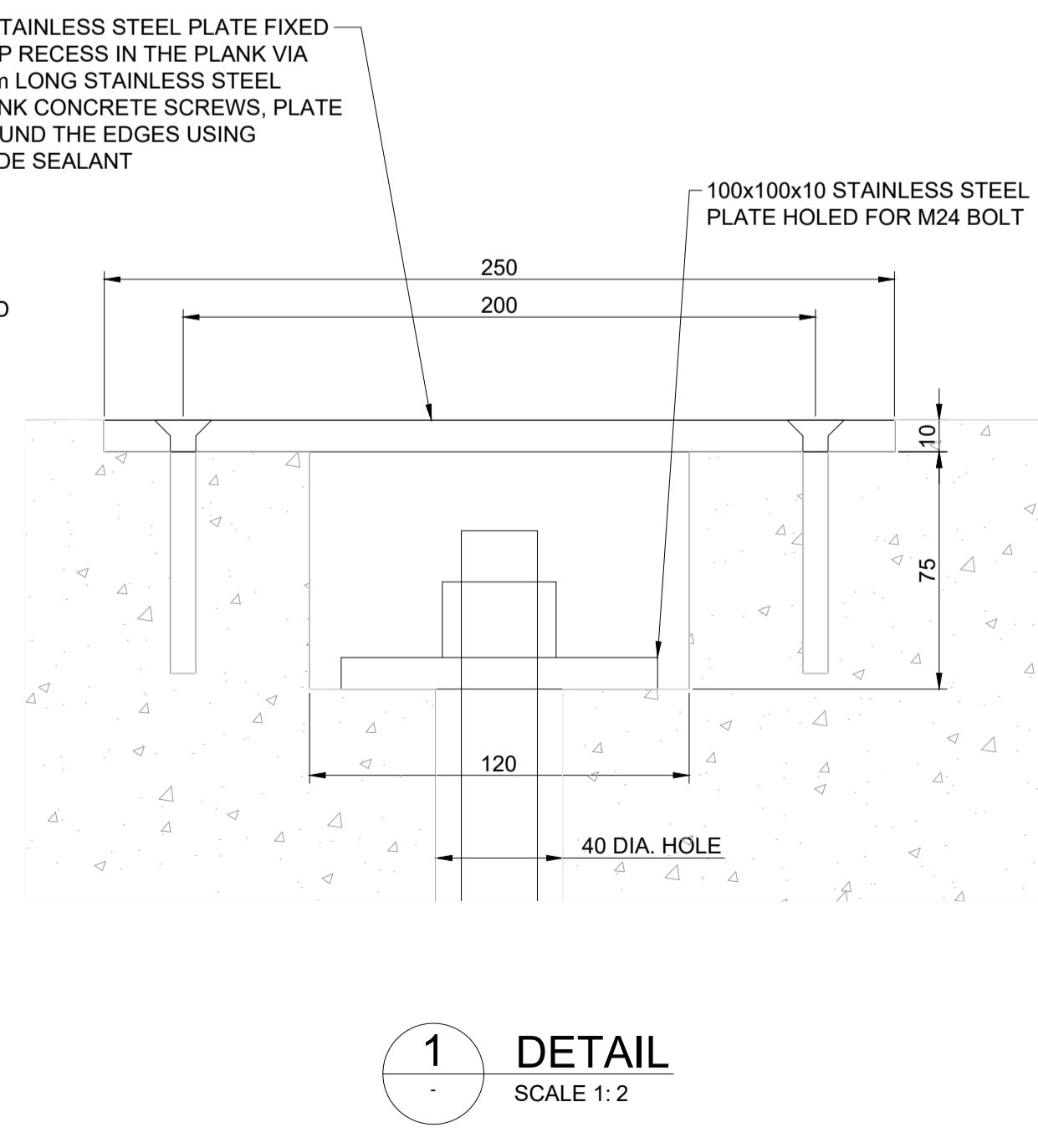
A SECTION
SCALE 1:50



B SECTION
SCALE 1:20



C SECTION
SCALE 1:20



1 DETAIL
SCALE 1:2

- NOTES:**
- ALL DIMENSIONS ARE IN MILLIMETRES UNLESS OTHERWISE NOTED.
 - ALL LEVELS ARE IN METRES AOD UNLESS NOTED OTHERWISE.
 - ALL DIMENSIONS ASSUME A DATUM TEMPERATURE OF +10°C.
 - THE CONTRACTOR IS RESPONSIBLE FOR LOCATING, EXPOSING AND PROTECTING SERVICES AFFECTED BY THE WORKS.
 - THE CONTRACTOR IS RESPONSIBLE FOR VERIFYING ALL MATERIALS USED ARE APPROVED BY SCOTTISH WATER.
 - WHERE OUTLINES OF PROPRIETARY PRODUCTS ARE SHOWN ON THE DRAWINGS TO CLARIFY DESIGN REQUIREMENTS, SUCH DETAILS ARE INDICATIVE ONLY. WORKS/EXISTING GROUND LEVELS TO BE CONFIRMED ON SITE PRIOR TO THE WORKS.
 - PIPE SURVEY DETAILS WERE PROVIDED BY THE CONTRACTOR.
 - REFER TO 5000000466-WR-DRA-04218015 AND 04218016 FOR STRUCTURAL DETAILS.
 - REFER TO 5000000466-WR-DRA-04218017 FOR CIVILS DETAILS INCLUDING LEVELS, EXISTING GROUND LEVELS AND BACKFILL DETAILS.
 - REFER TO 5000000466-WR-DRA-04218003 TO 042180013 FOR HIGHWAYS PACKAGE.
 - REFER TO 5000000466-WR-DOC-04218021 FOR DESIGNER'S RISK ASSESSMENT.

KEY:

	PRECAST CONCRETE PLANKS
	IN-SITU STRIP FOUNDATIONS
	BLINDING

SAFETY, HEALTH AND ENVIRONMENTAL INFORMATION

In addition to the hazards/risks normally associated with the types of work detailed on this drawing, note the following significant residual risks (Reference shall also be made to the design hazard log).

Construction	HS.01 EXCAVATION AROUND LIVE UTILITIES
Maintenance / Cleaning	HS.04 LIFTING OF HEAVY EQUIPMENT/PRECAST ELEMENTS HS.05 MOVEMENT OF PIPE DURING MAINTENANCE
Use	NONE.
Decommissioning / Demolition	NONE.

C01	KL	LC	PB	22/12/21
FOR CONSTRUCTION				
P02	KL	LC	PB	29/11/21
FOR CONSTRUCTION APPROVAL				
P01	RH	BF	TR	3/11/21
FOR APPROVAL				

Rev	Drawn / Des	Checked	Approved	Date
Description				

Drawing Status	Suitability
FOR CONSTRUCTION	A

ATKINS

200 Broomielaw
Glasgow
G1 4RU

Tel: +44 (0)141 220 2000
Fax: +44 (0)141 220 2001
www.atkinsglobal.com

Copyright © Atkins Limited (2016)

Client

Always serving Scotland

Project Title
Camps Reservoir

Drawing Title
**Permanent RC Protection
Structural General Arrangement**

Scale	Designed / Drawn	Checked	Approved	Authorised
AS SHOWN	RH	BF	TR	TR
Original Size	Date	Date	Date	Date
A1	03/11/21	03/11/21	03/11/21	03/11/21
Drawing Number	Project	Originator	Volume	Job No.
	5000000466-WR-DRA-04-21-8014		14	5208692
	Location	Type	Role	Number
				C01